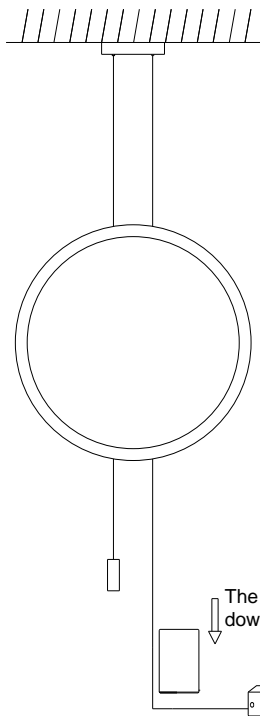
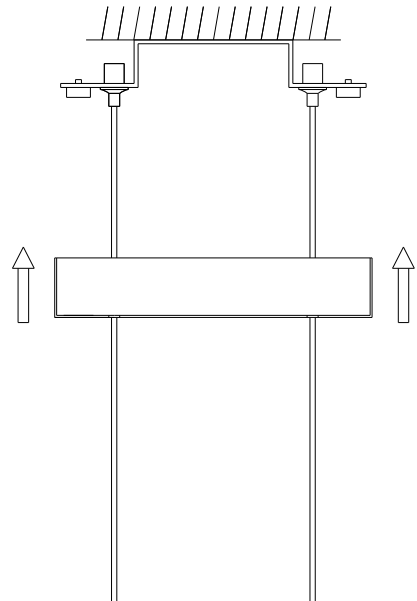


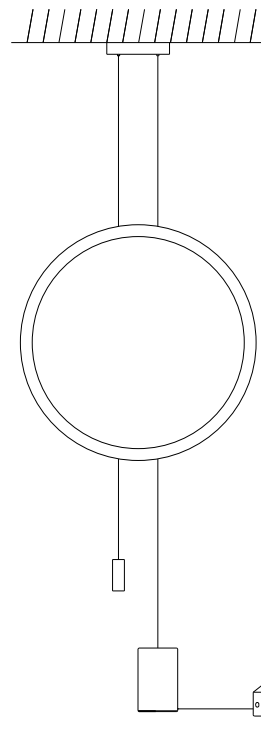
①

②



③

④



Press:ON/OFF

